

Automatic control

Homework number: [2]

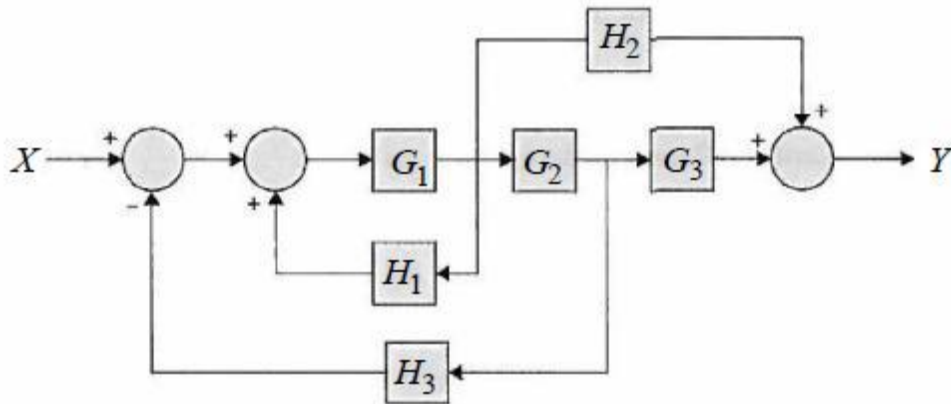
Student name: \_\_\_\_\_

Student registration number: \_\_\_\_\_

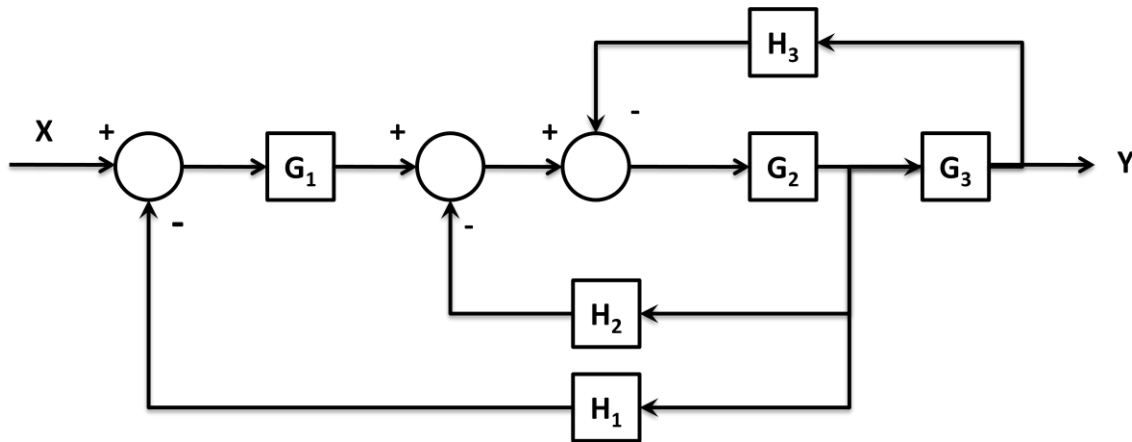
Class number:  class [1] 10:10 – 11:00       class [2] 8:10 – 9:00

**Assignment: reduce the each one of the following block diagrams to single block diagram.  
Show all the steps.**

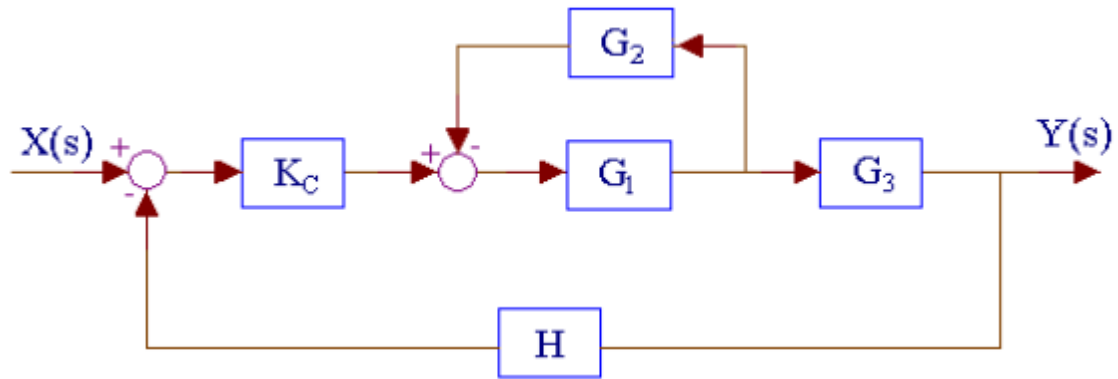
1.



2.



3.



4.

