

Automatic control

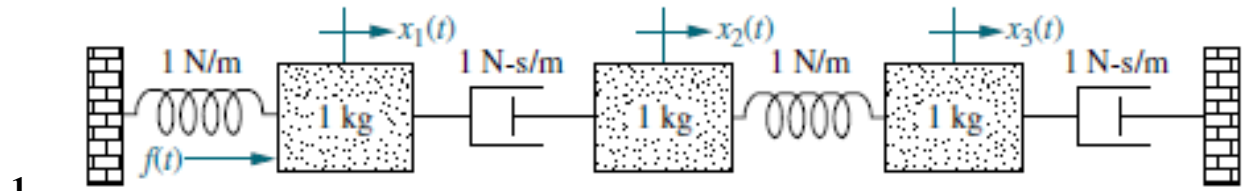
Homework number: [3]

Student name: _____

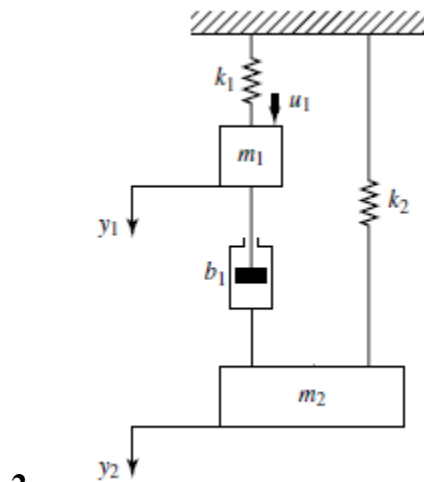
Student registration number: _____

Class number: class [1] 10:10 – 11:00 class [2] 8:10 – 9:00

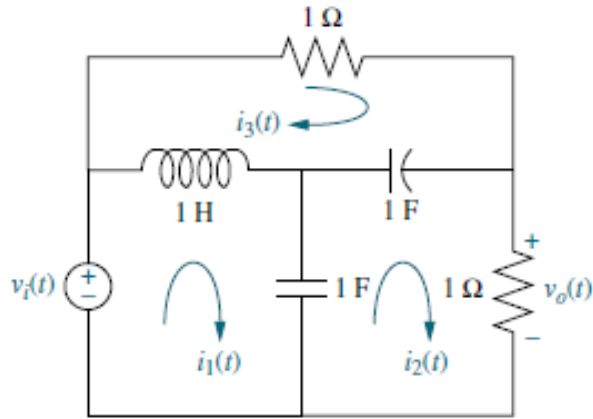
Assignment: find the required transfer function for the following electrical and mechanical systems by using block diagram drawing and reduction or by direct solution:



The required transfer functions: $X_3(s)/X_1(s)$ and X_2/X_1 . Here x_1 is the input.



The required transfer function: Y_2/U_1 . Here u_1 is the input.



3.

The required transfer function is $V_o(s) / V_i(s)$

B-3-7. Obtain the transfer function $E_o(s)/E_i(s)$ of the electrical circuit shown in Figure 3-36.

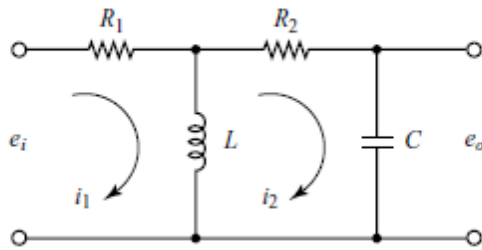


Figure 3-36 Electrical circuit.

4.