



Philadelphia University

Faculty of Engineering

Mechanical Engineering Department

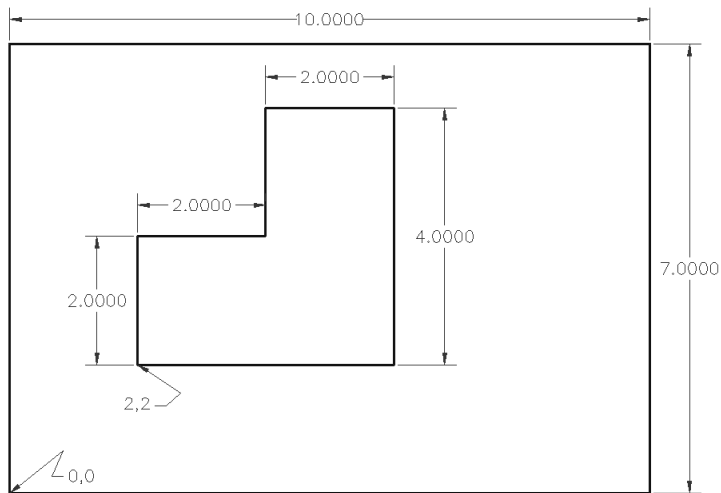
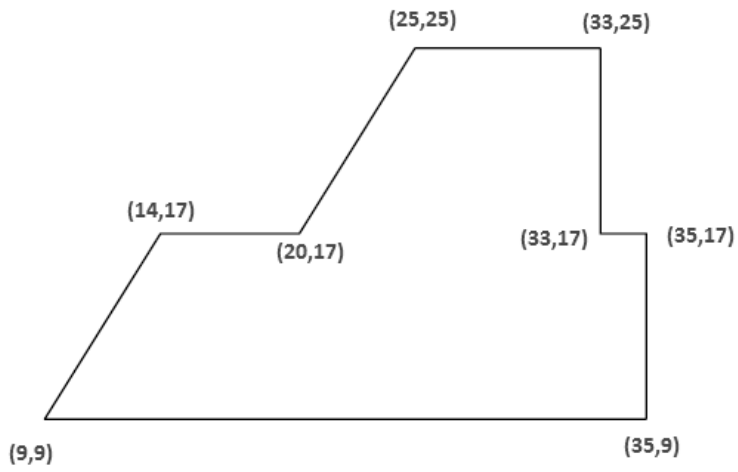
AutoCAD Manual

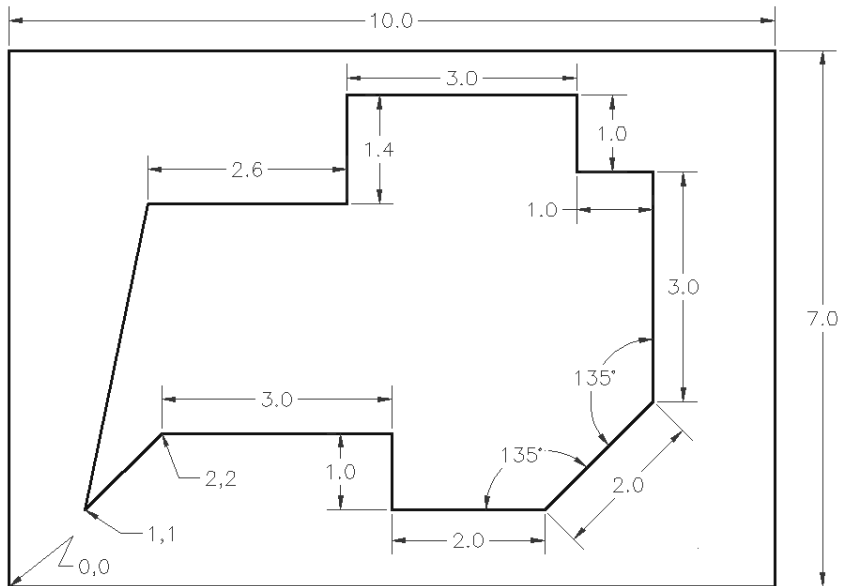
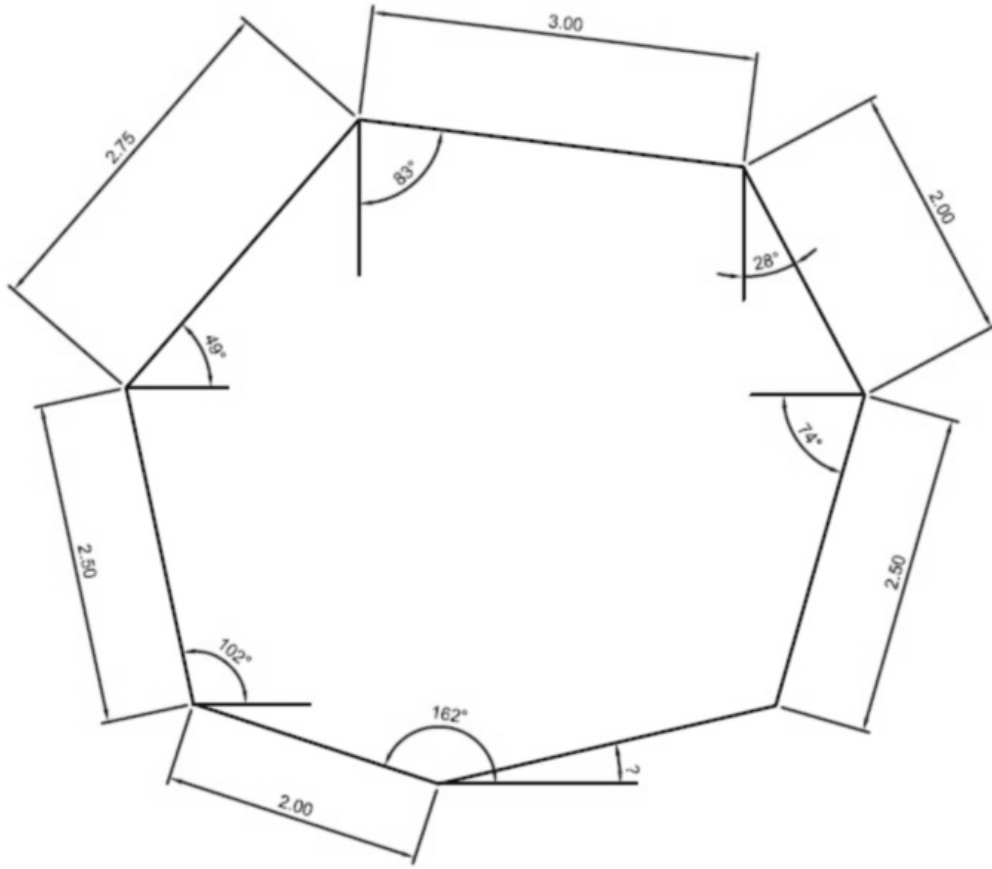
Done by:-

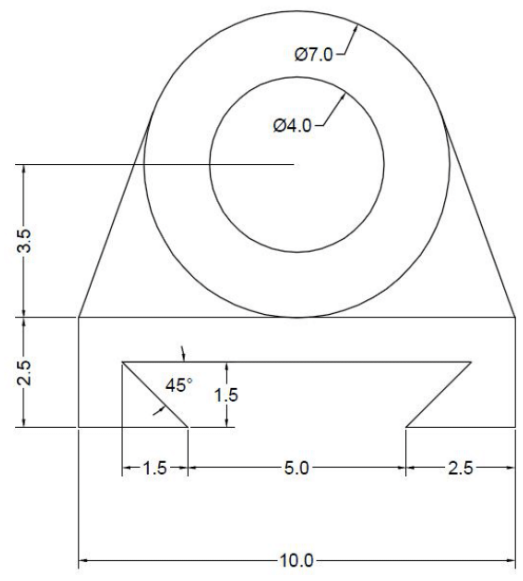
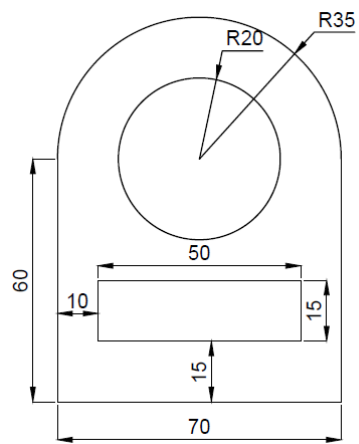
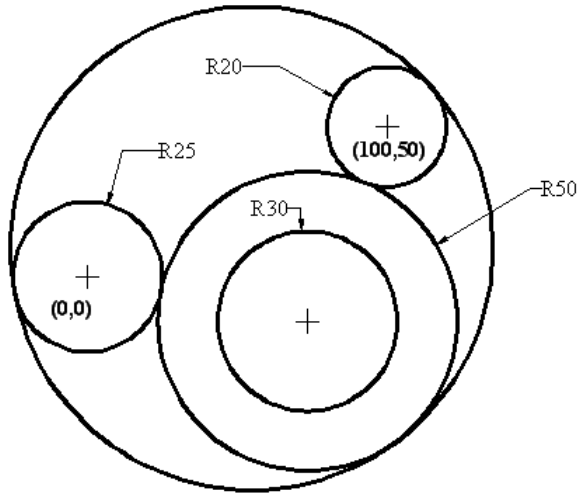
Eng. Laith R.I. Batarseh

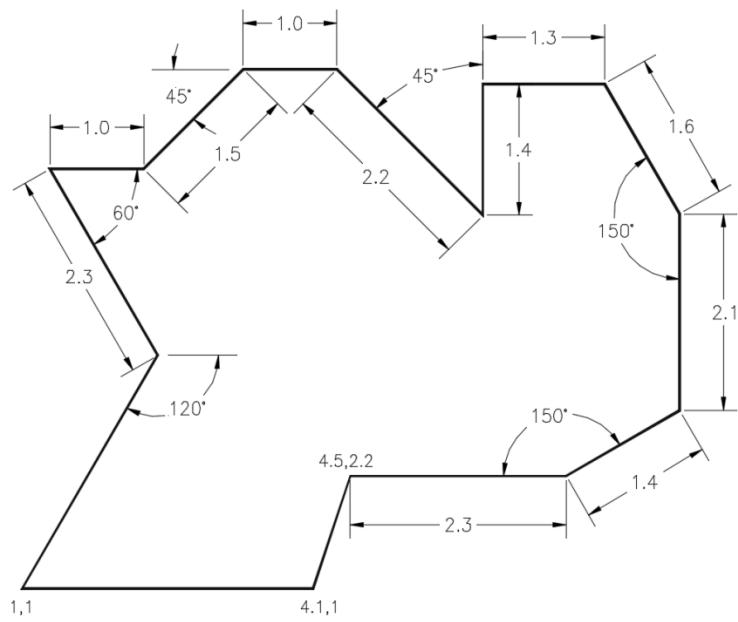
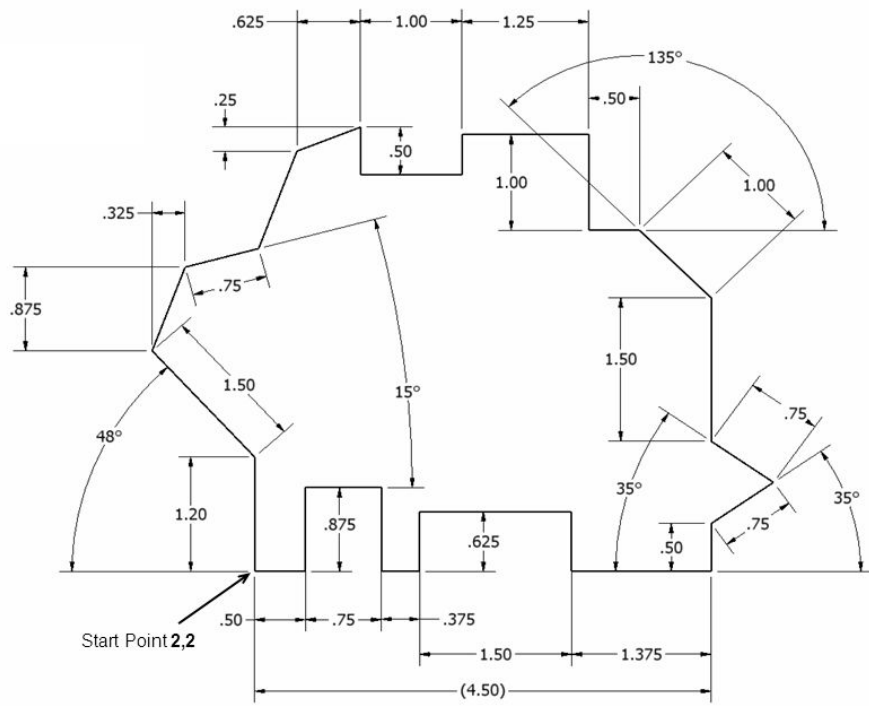
Eng. Hanan Khamis

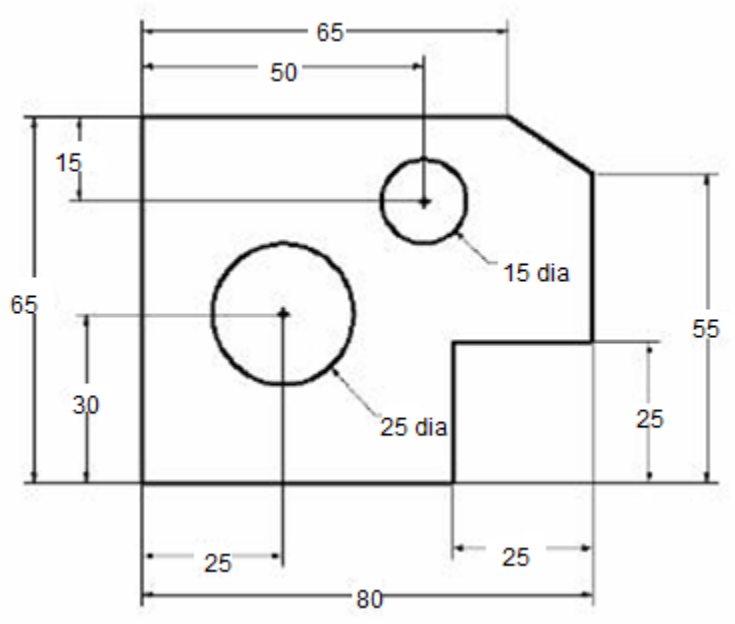
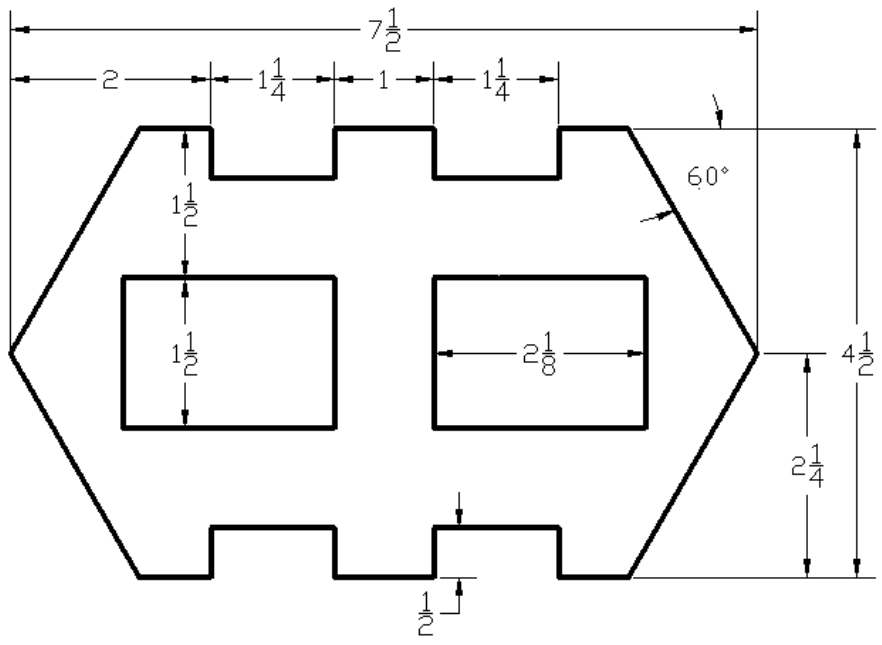
2017

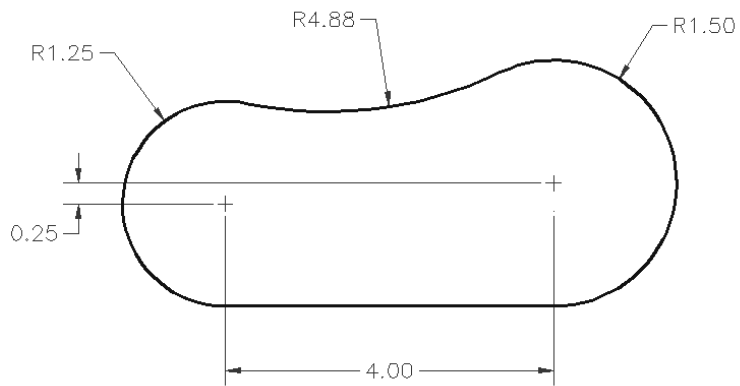
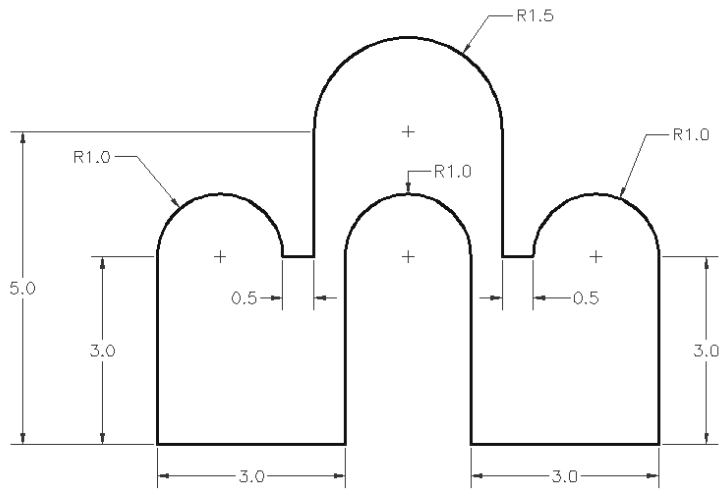
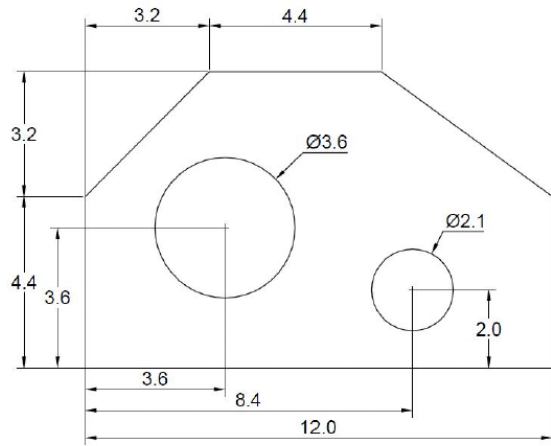


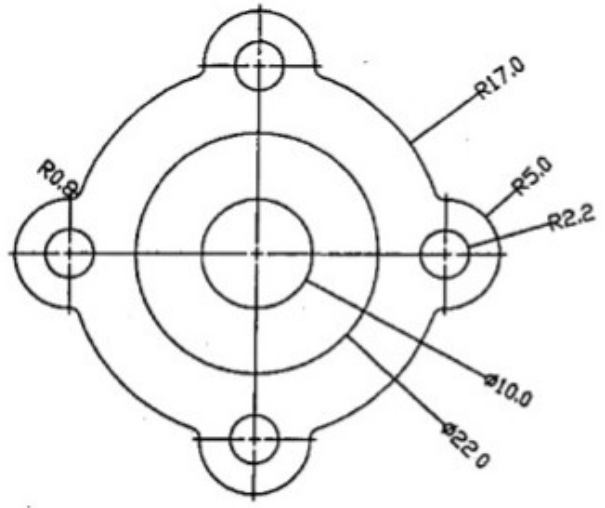
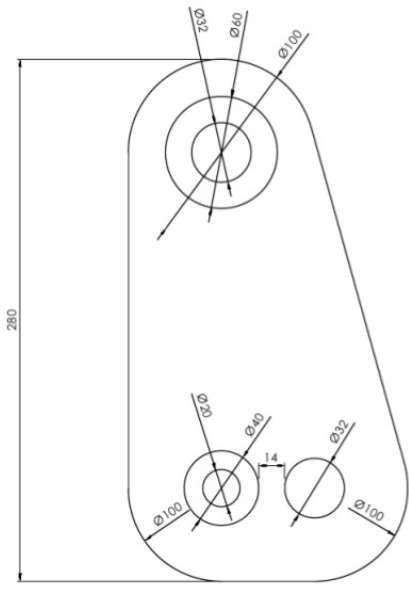
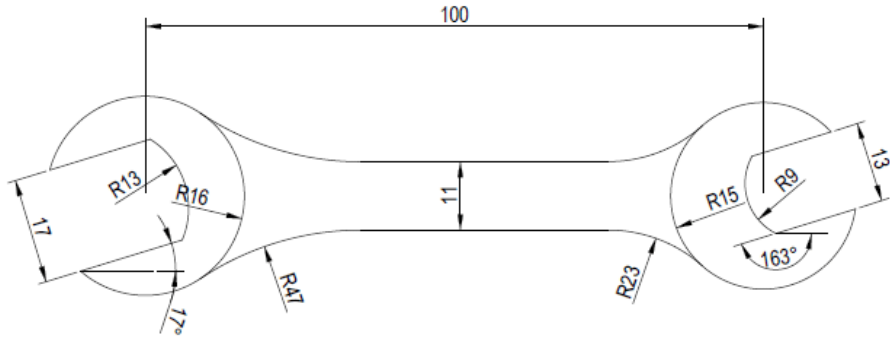


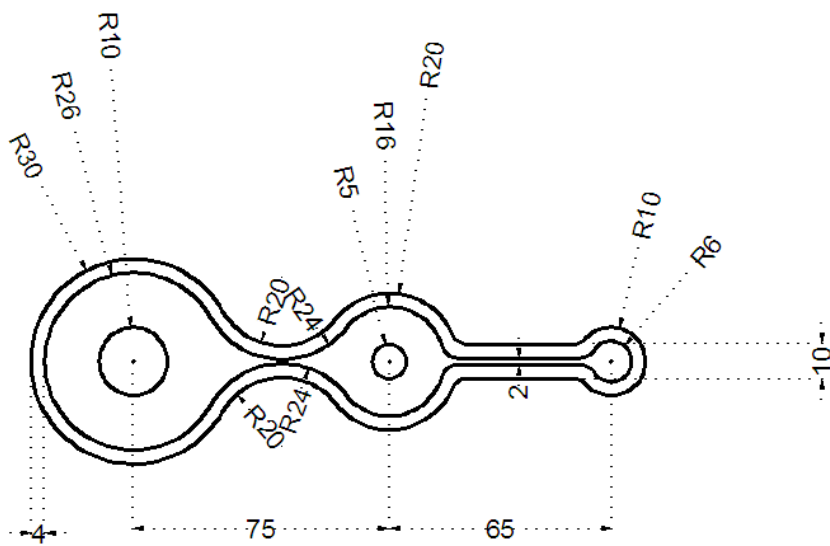
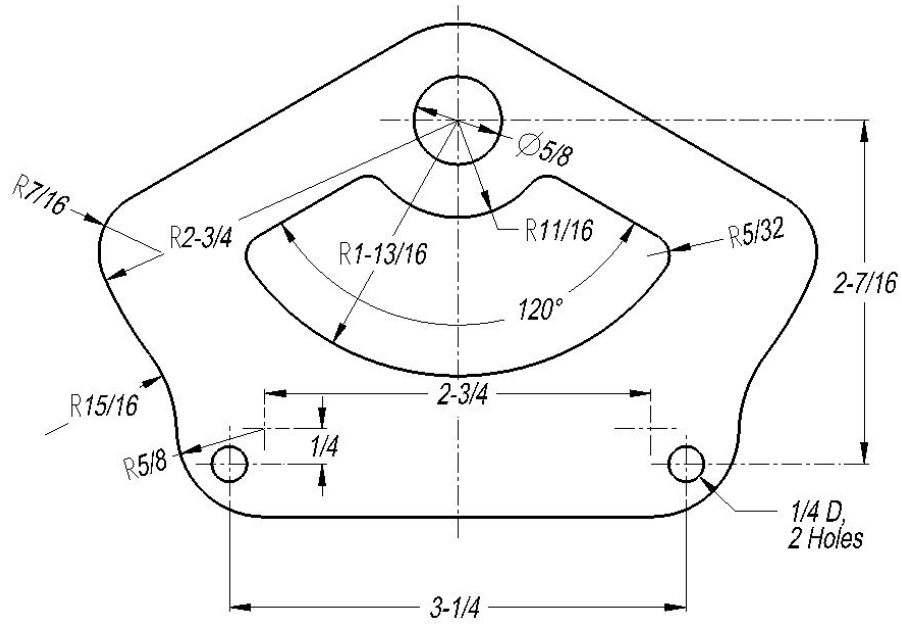


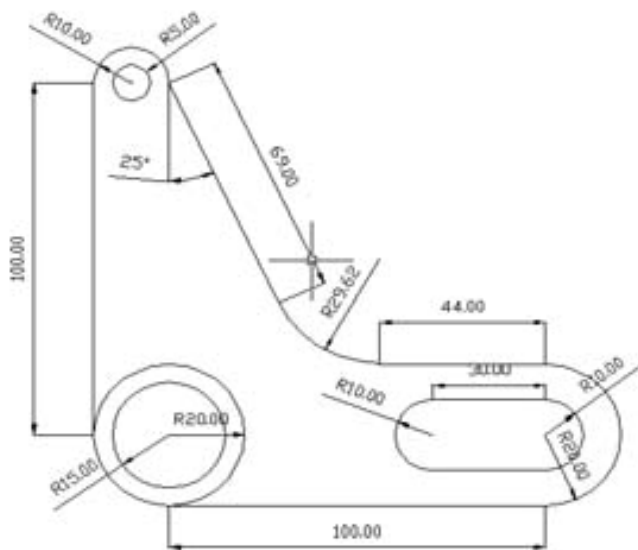
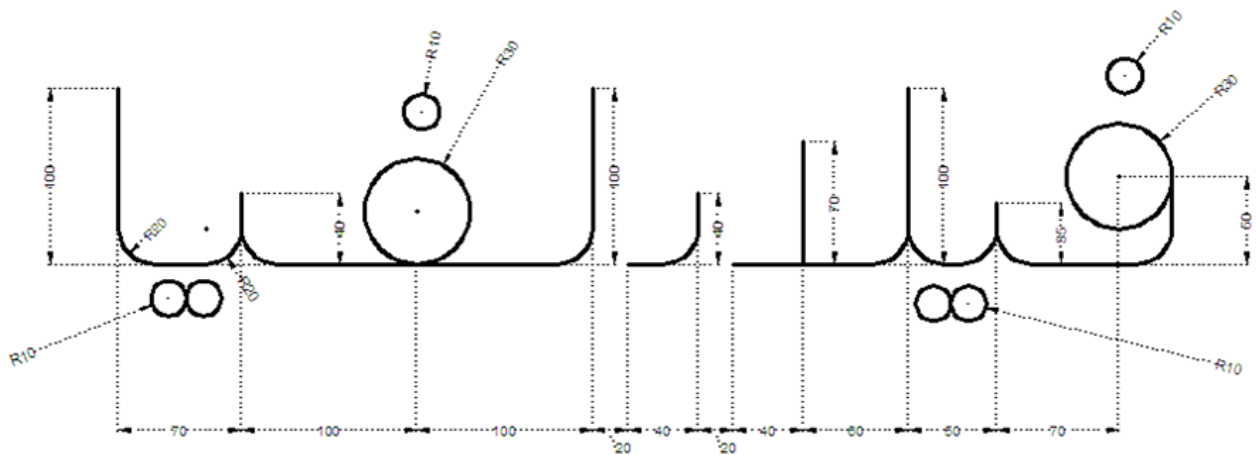


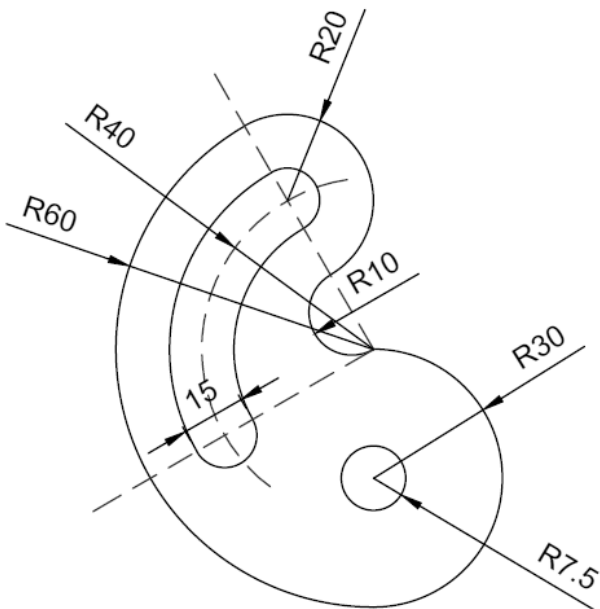
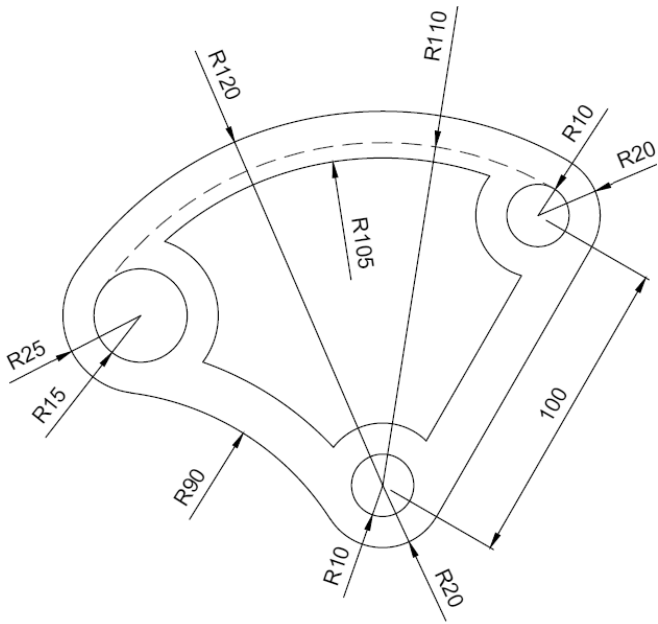


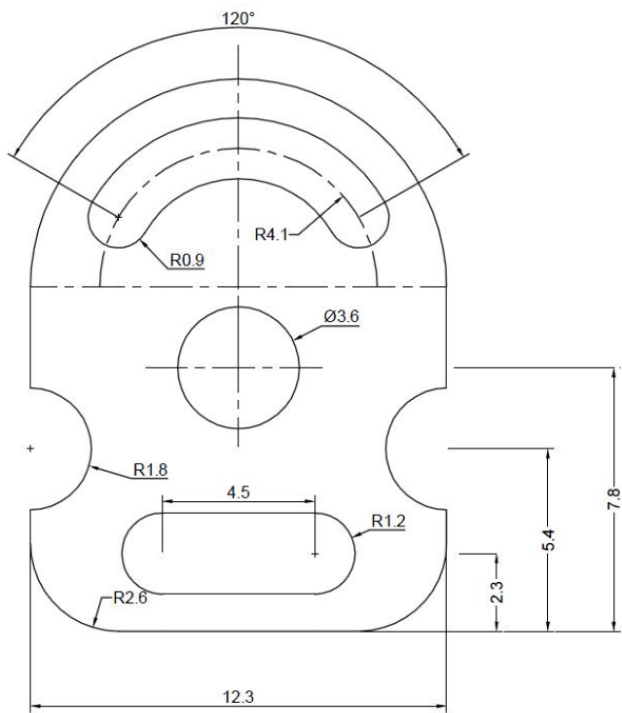
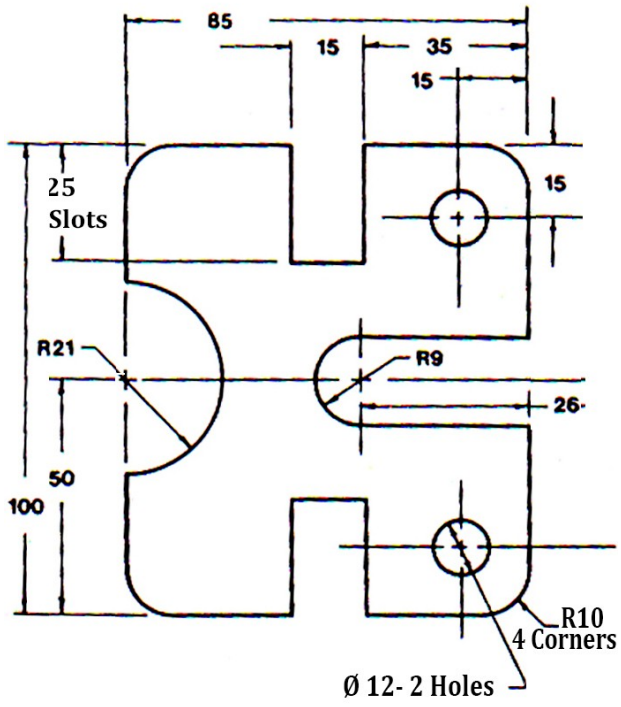


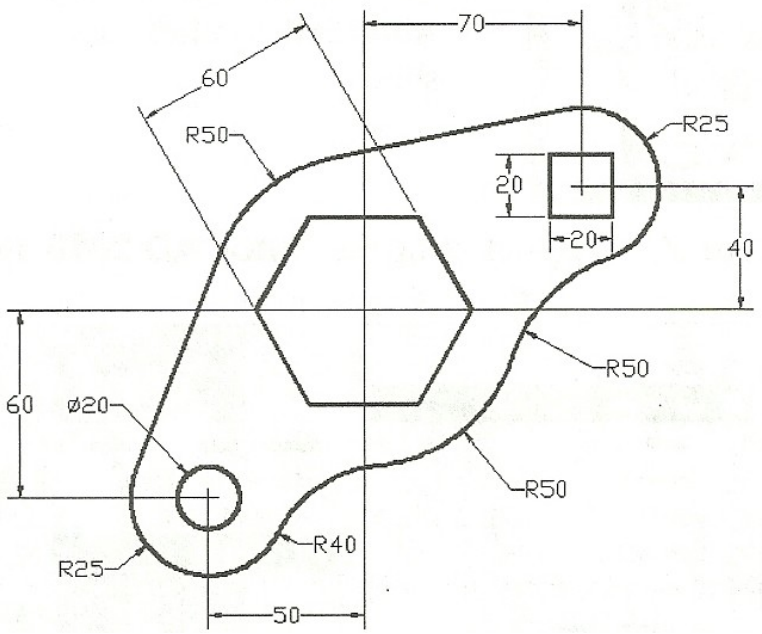
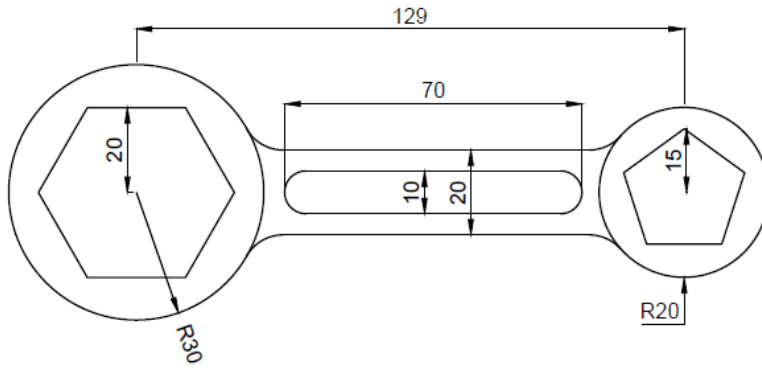


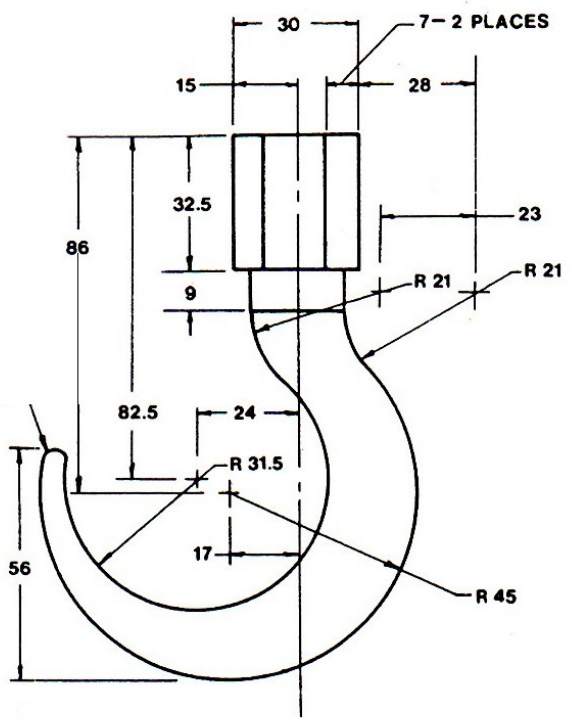
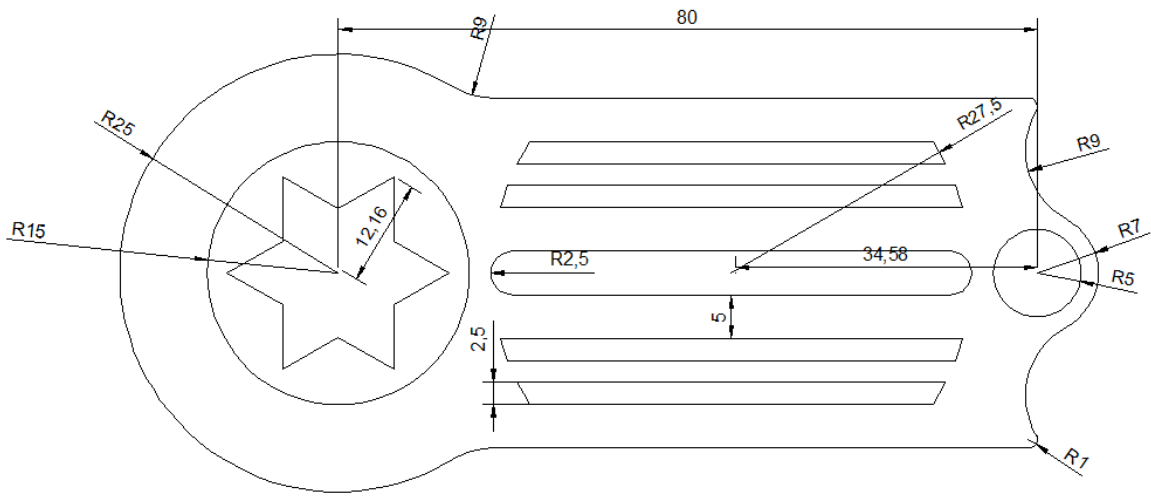


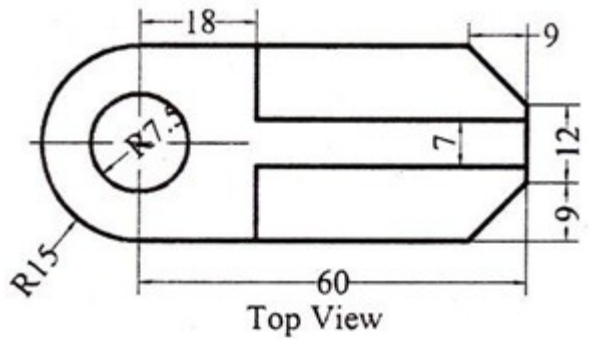
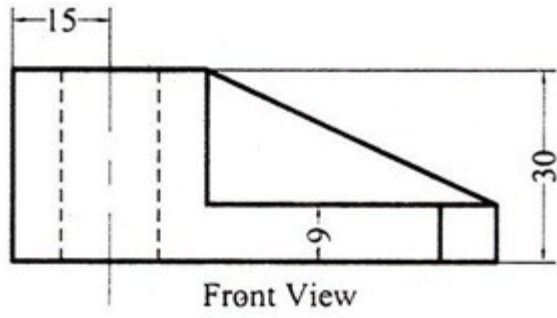
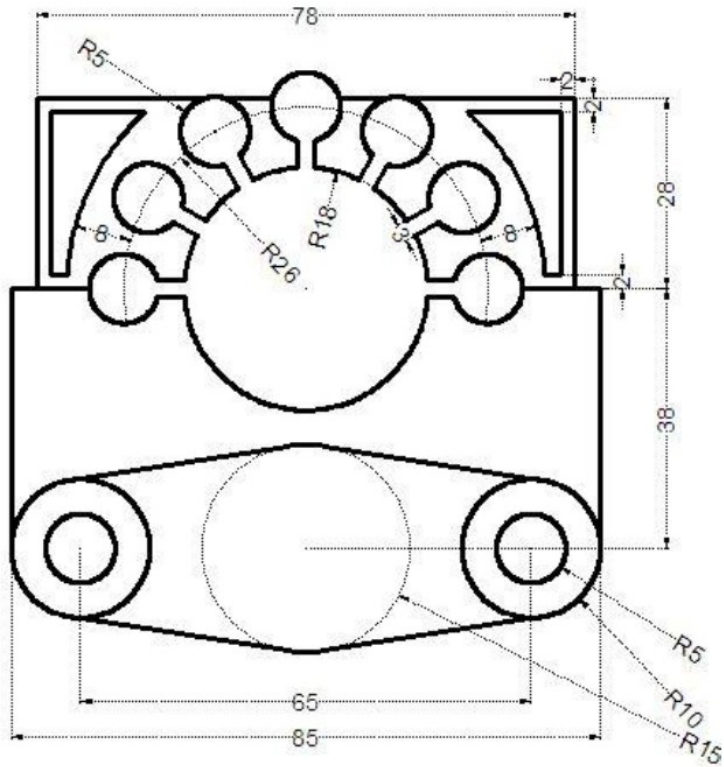


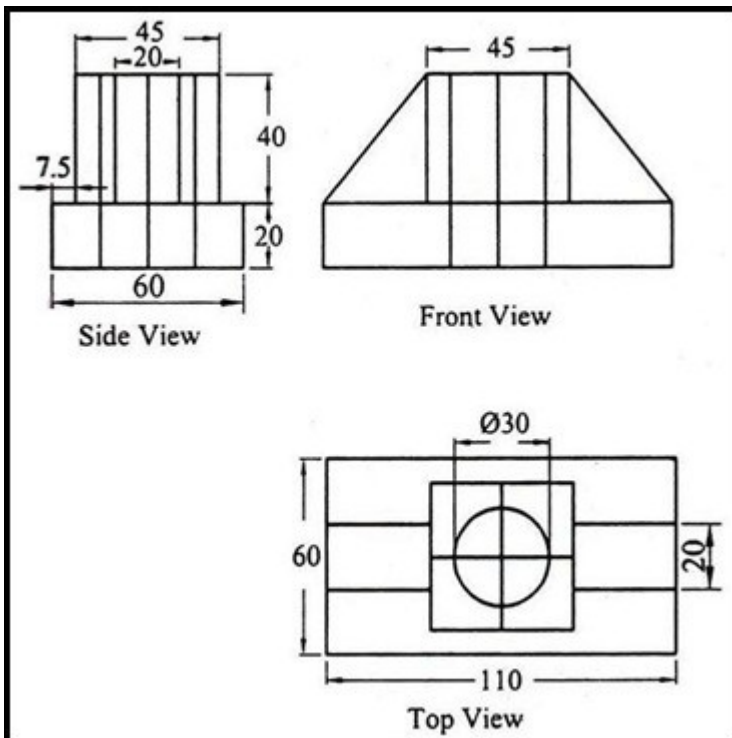
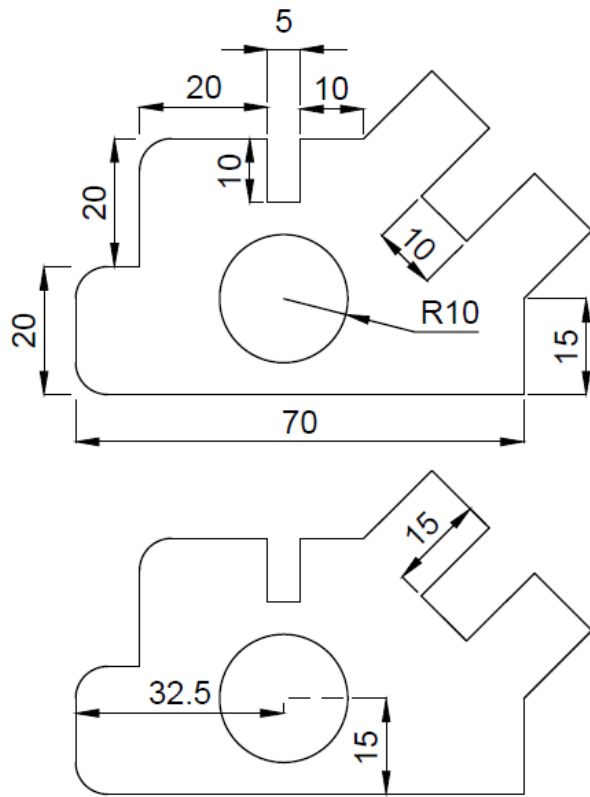


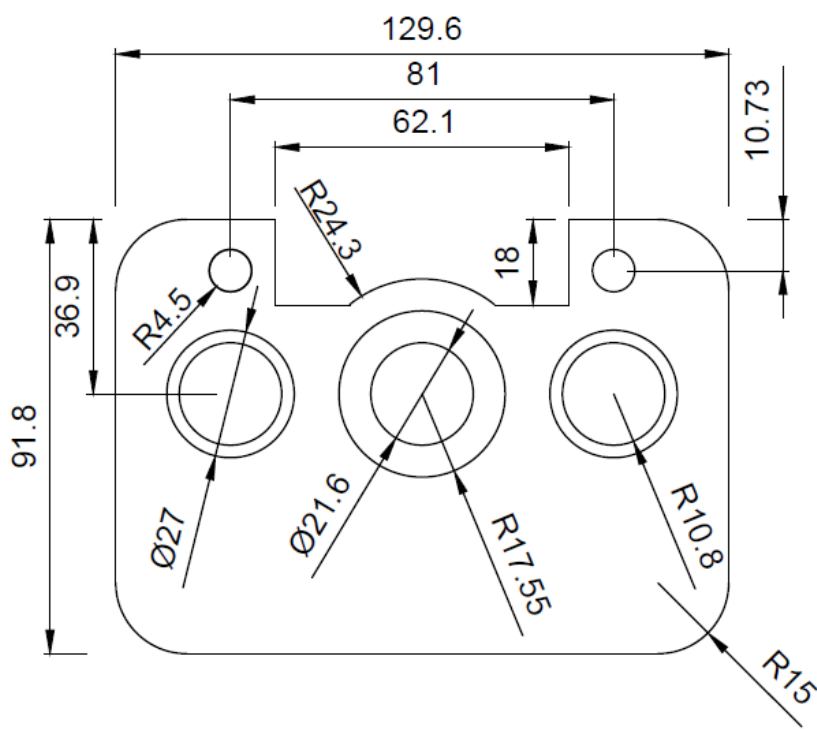
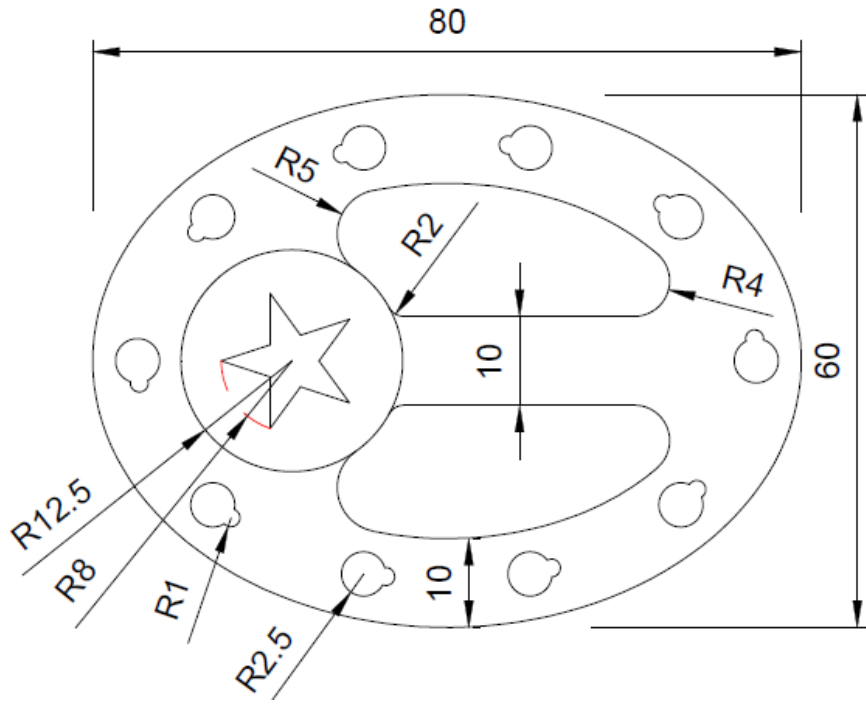


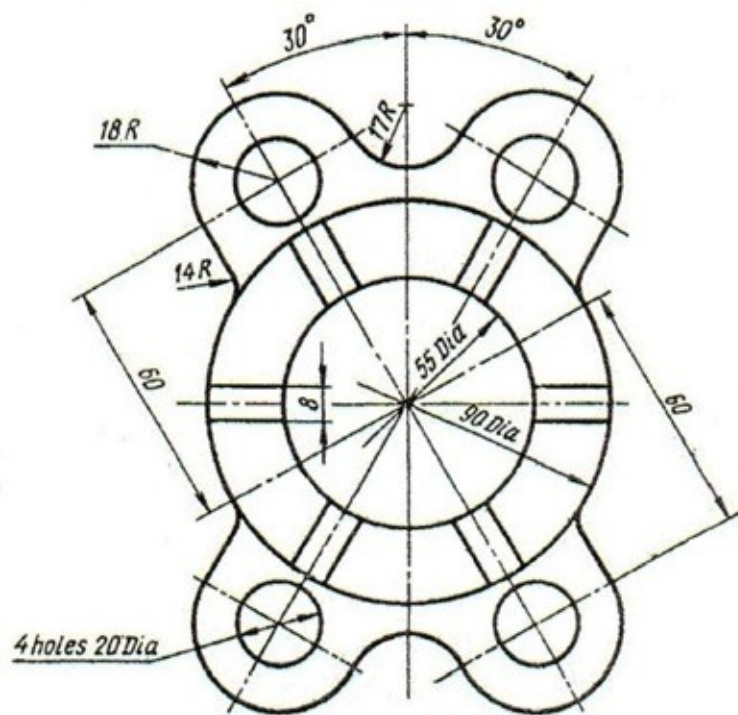
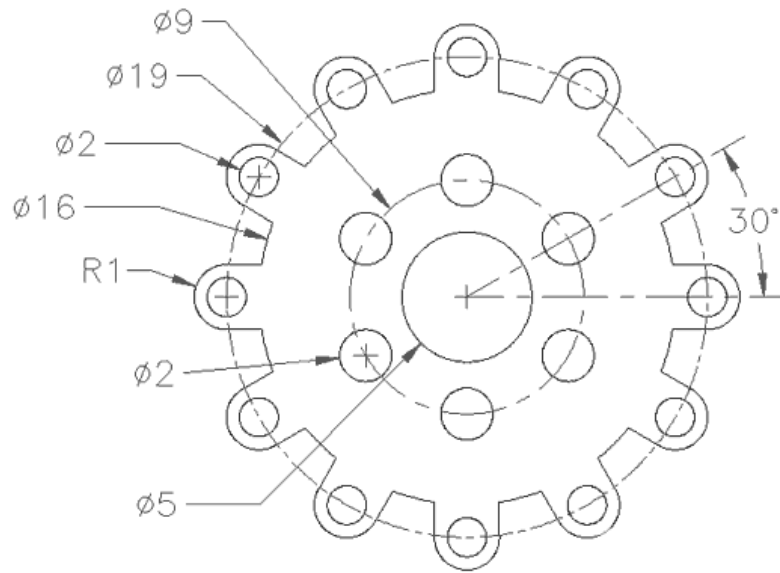


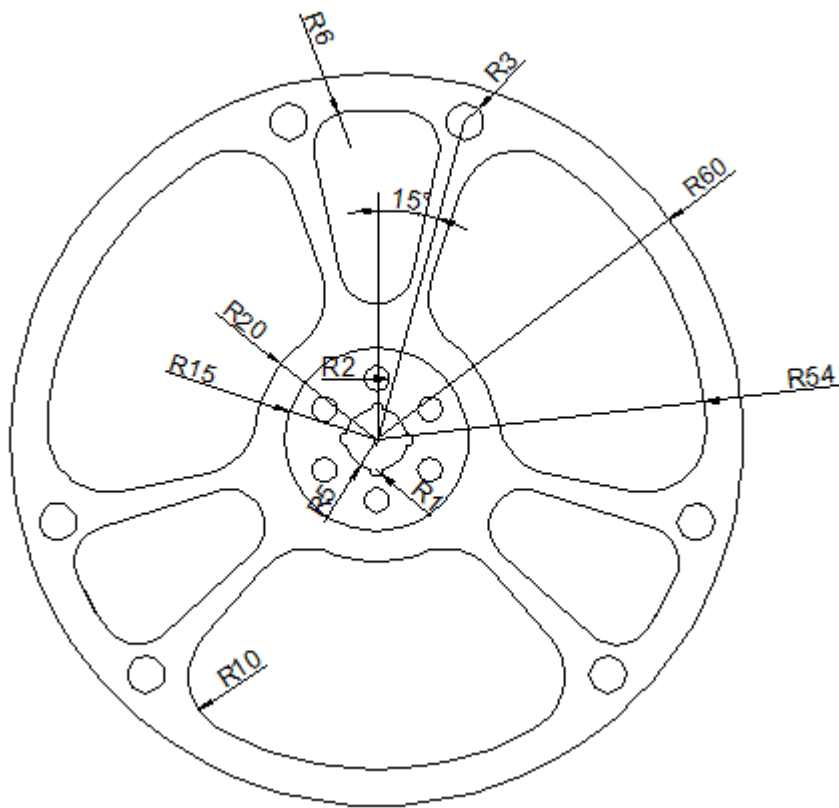
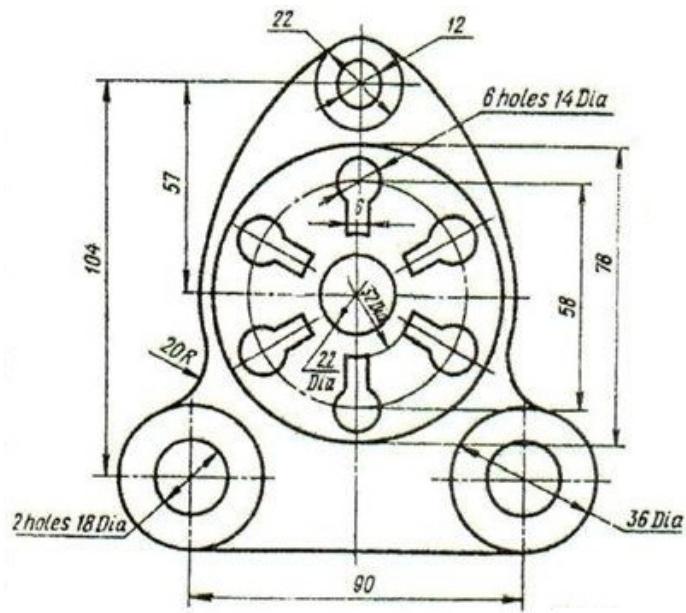


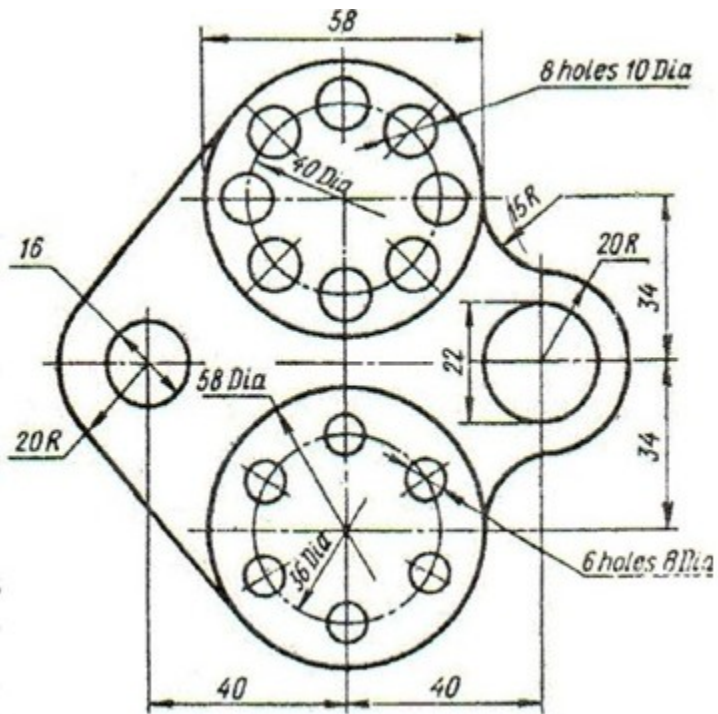
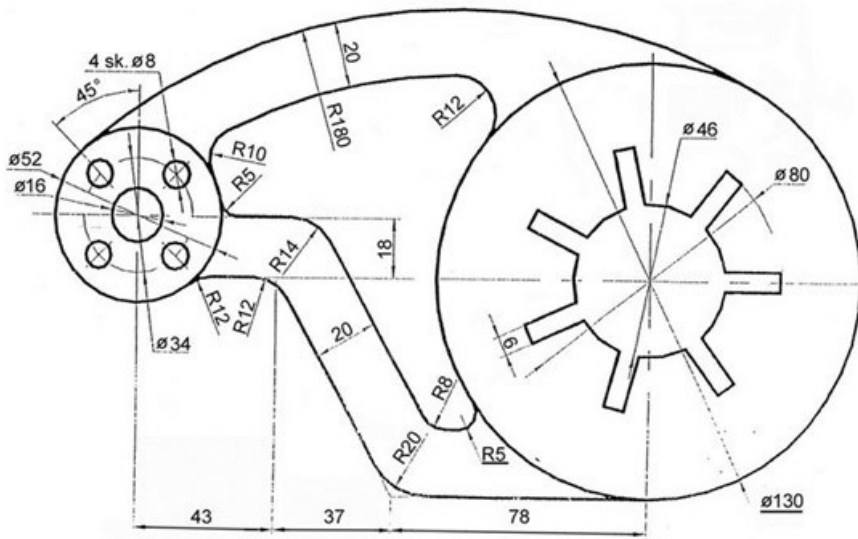


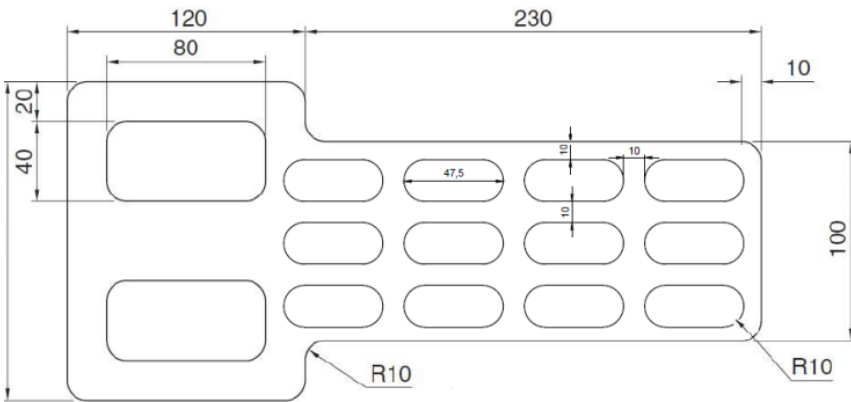
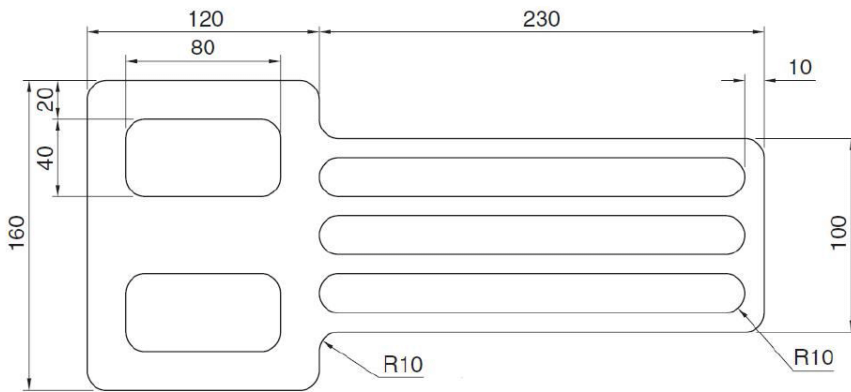
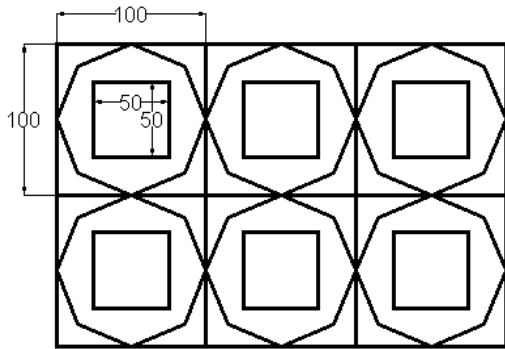


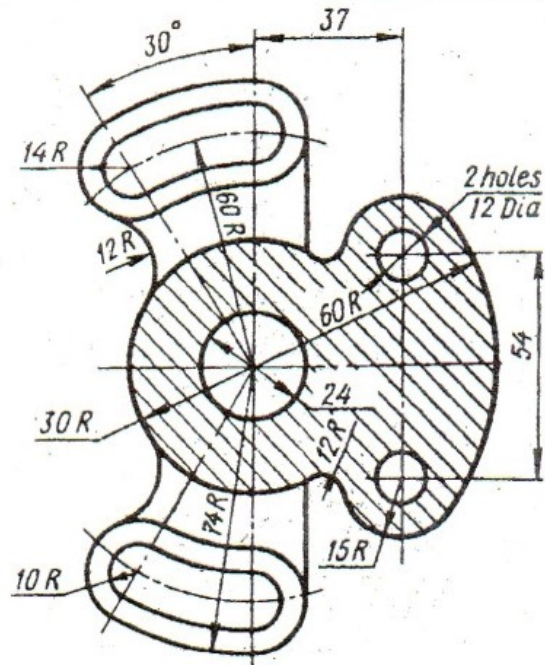
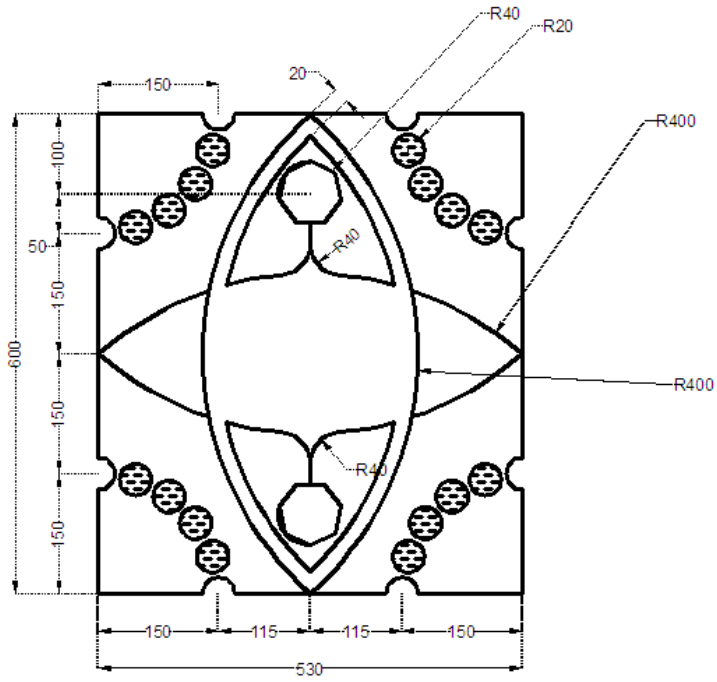




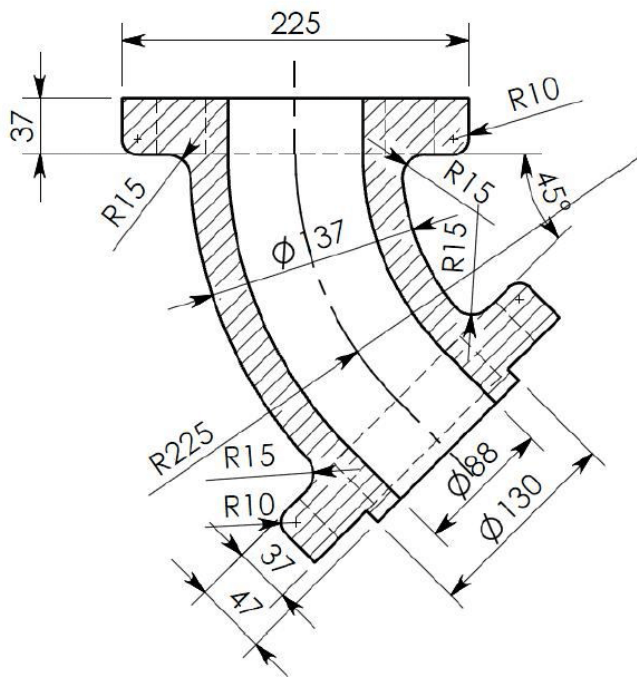
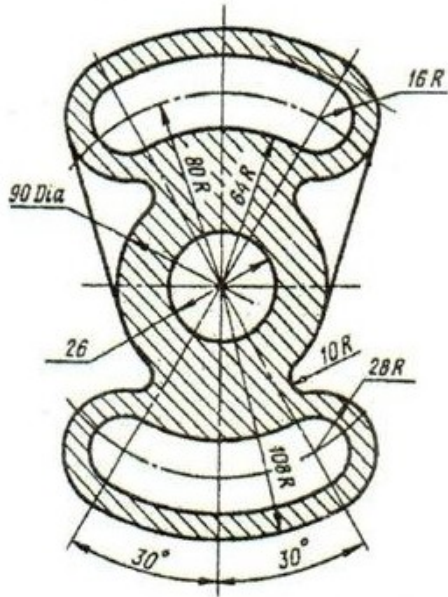








Layer name	color	Line type	Line weight
Out lines	white	Continues	default
Center lines	blue	Iso long dash dot	0.20 mm
Dimension	yellow	continues	default
Hidden lines	magenta	Iso dash	0.15mm



Layer name	color	Line type	Line weight
Out lines	yellow	Continues	default
Center	white	Iso long dash dot	default
Dimension	red	continues	0.20mm
Hidden	Dark blue	Iso dash	0.30mm

