



Dept. of Computer Engineering  
Final Exam, Second Semester: 2009/2010

Course Title: Software Engineering  
Course No: (630351)  
Lecturer: Dr. M. Bani Younis

Date: 09/06/2010  
Time Allowed: 2 Hours  
No. of Pages: 5

**Question 1: Multiple choice question, answer on question sheet (18 points)**

Choose the best correct answer in the following questions: **(Choose one answer only)**

- 1) The format of representation of a functional structure used to describe a system :
  - a) Tree Structure
  - b) Flow chart
  - c) Hierarchical Structure
  - d) Matrix
  - e) a+c
  - f) none of the above
- 2) In Software development:
  - a) problems are not available
  - b) methods and tools are same
  - c) HW is well defined
  - d) Software Engineering is not important
  - e) a+c
  - f) none of the above
- 3) Different groups are involved in Software development such as:
  - a) clients
  - b) Vendors
  - c) a+b
  - d) users and developers
  - e) a+b+d
  - f) none of the above
- 4) The time span by which an activity can delay without delaying any other activity is a:
  - a) free slack
  - b) indication of critical activity
  - c) Overall slack
  - d) a+b
  - e) all of the above
  - f) none of the above
- 5) Natural language can be avoided when writing specifications using:
  - a) mathematical specification
  - b) graphical models
  - c) formal specification
  - d) structured language
  - e) all of the above
  - f) none of the above
- 6) Engineering and computer science studies concentrate on products:
  - a) Programs and models
  - b) only programs
  - c) models only
  - d) Concepts and characteristics of these products
  - e) a+d
  - f) none of the above
- 7) The most successful approach to software development is to follow the:
  - a) component-based model
  - b) waterfall model
  - c) spiral development
  - d) formal methods
  - e) evolutionary development
  - f) none of the above
- 8) Goal orientation Software development means:
  - a) quality oriented
  - b) regardless of cost
  - c) time is not important
  - d) Quality, cost, and time
  - e) a+c
  - f) none of the above
- 9) In a forecasting technique, the questioners are answered by the following persons:
  - a) technicians
  - b) managers
  - c) professors
  - d) experts in the field
  - e) a+c
  - f) none of the above
- 10) Budgeted means of a project are:
  - a) personnel
  - b) deadlines
  - c) resources and costs
  - d) a+c
  - e) costs only
  - f) none of the above

11) The following is applicable for Software user requirements:

- a) answers the question why
- b) design is known
- c) units can be tested
- d) a+c
- e) owner is the user only
- f) none of the above

12) Requirements that specify the functionality of the system are:

- a) functional requirements
- b) non-functional requirements
- c) user requirements
- d) system requirements
- e) a+b
- f) none of the above

**Question 2:**

**(8 points)**

Read this paragraph carefully and answer the following questions:

A Software Project has to go through different activities toward its finish.

The project has to start on 26.06.20

09. These activities are as shown in the figure 1:

	Task Name	Duration	Start	Finish	Late Finish	Predecessors
1	contact with the contracting firm	0 days	Fri 26.06.09			
2	generation of the requirements	2 days				1
3	development of the design	5 days				2SS+3 days
4	implementing of the design	4 days				2FS+2 days
5	validation against the design	3 days				4FS-2 days
6	realization of the product by the user	0 days				5,3

Figure 1: Software Project

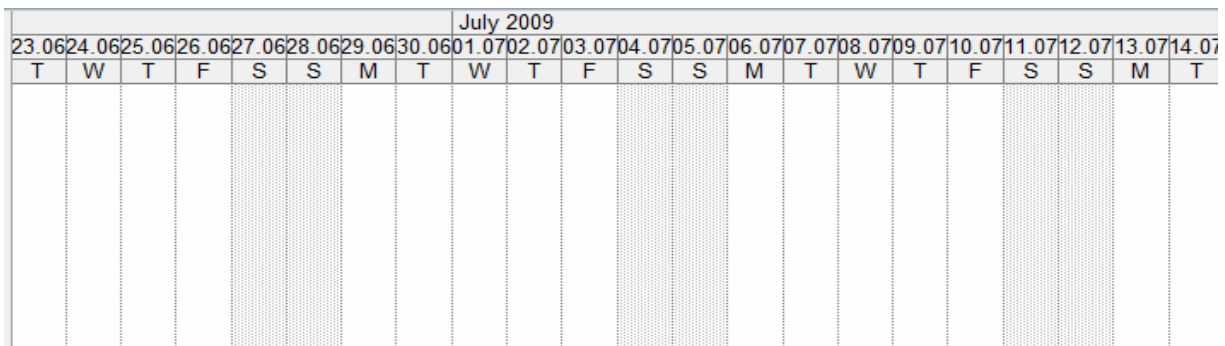


Figure 2: Gantt Diagram

- a) Please fill the missed term in the Figure one by applying the Forward and Backward
- b) Draw the Gantt diagram of the Project (Figure 2).
- c) Calculate the slack for all activities. Show the critical activities and the critical path.

***Question 3:***

***(8 points)***

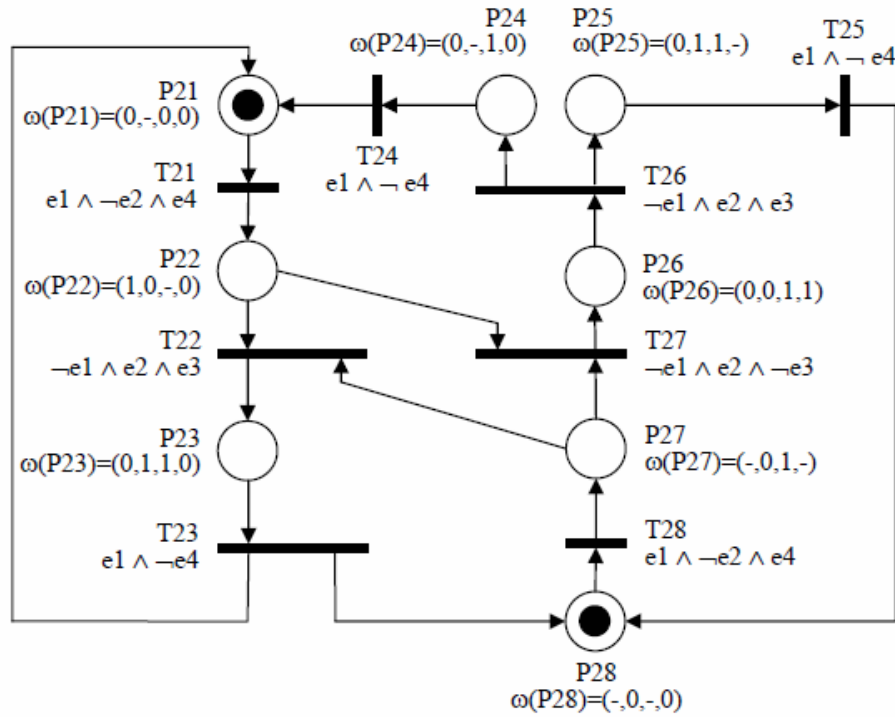
please read the text below and generate **the UML class diagram for the change machine:**  
**(please show the important attributes and operations).**

a change machine has to be able test the money before changing it. This machine can change both coins (1JD, 0.5 JD, 0.25 JD) and bank note (10 JD, 20 JD). A block is responsible for the recognition of the change unit. This change unit contains racks of the changeable money.

**Question 4:**

**(8 points)**

Draw the RG for the following PN.



**Question 5:**

**(8 points)**

1) Draw the graph which represents the V-Model. (2 marks)

2) Explain the need for Newer process models and describe briefly two of them.(6 marks)